

PCB PATTERN LAYOUT

- NOTES:
- MATERIAL:
 - HOUSING: THERMOPLASTIC, HIGH TEMP., UL94V-0.
 - CONTACT: COPPER ALLOY
 - FITTING NAIL: COPPER ALLOY
 - FINISH:
 - CONTACT:
 - 50~100u" NICKEL UNDERPLATING OVERALL.
 - 1:GOLD FLASH OVER ALL
 - FITTING NAIL:
 - 50~100u" NICKEL UNDERPLATING OVERALL.
 - 1:GOLD FLASH PLATED
 - REFLOW SOLDER CAPABLE TO 260°C PER ACES SPEC.
 - SPEC. PLS. REFER TO PS-50246-xxxxx-xxx
 - PACKAGE PLS. REFER TO 51404-XXXXX-XX-TRP
 - COPLANARITY 0.1MM MAX. BASE ON DATUM A
 - TRUE POSITION 0.1MM MAX. BAES ON DATUM B
8. "Halogen Free" product:
PART NUMBER

P/N LEGEND

51404-XXX X X-VXX

NO OF CKT

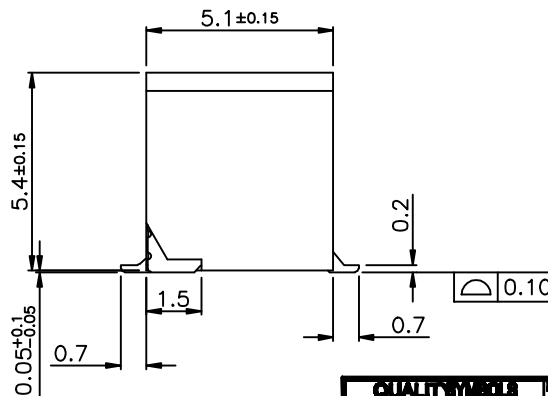
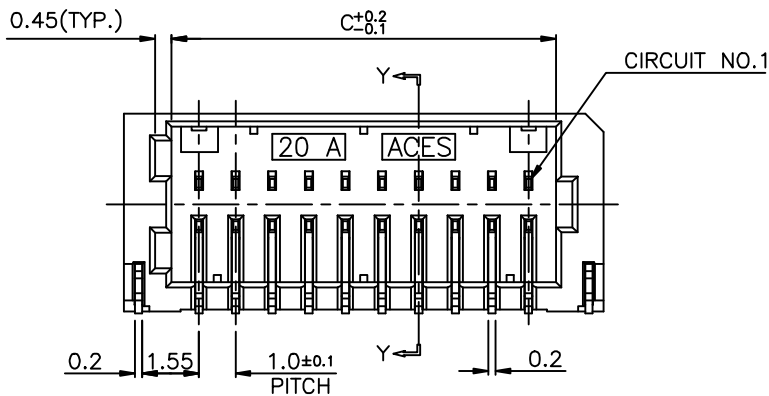
PACKING

- 0:TAPE REEL
- 1:TUBE PACKAGE

XXX	MATERIAL&COLOR
V01	HF & BLACK

PLATING

1:Gold Flash over all(Lead Free)



CKT	Dim A	Dim B	Dim C	狀態欄
16	7.0	11.1	8.5	v
20	9.0	13.1	10.5	v

QUALITY SYMBOLS MAJOR Ⓢ CRITICAL Ⓢ GENERAL TOLERANCES (UNLESS SPECIFIED) X ±0.5 .X ±0.25 .XX ±0.15 .XXX ±0.1 ANGLES ±2°	DRAWN BY ZHANGHAO CHECKED BY BRAVE APPROVED BY BRAVE	DATE 18/07/20 DATE 18/07/20 DATE 18/07/20		1.0mm WTB HEADER SMT R/A D/R TYPE
	UNITS mm SCALE 1:1	 1 OF 1		